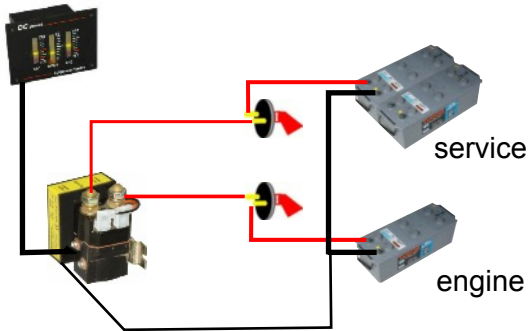


SINGLE ENGINE BATTERY BANK LAYOUT OPTIONS

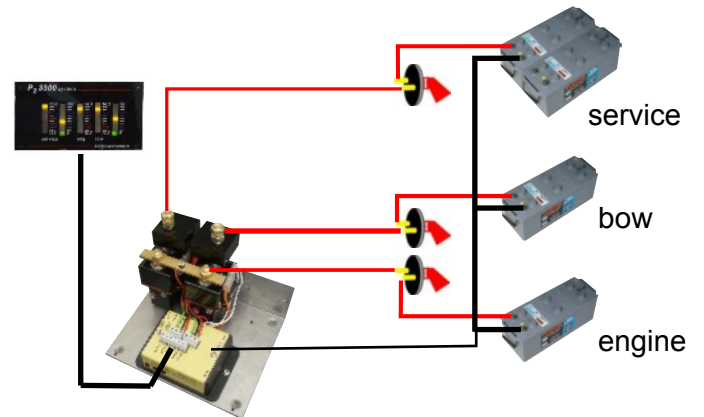
P2031

Single engine, two battery banks



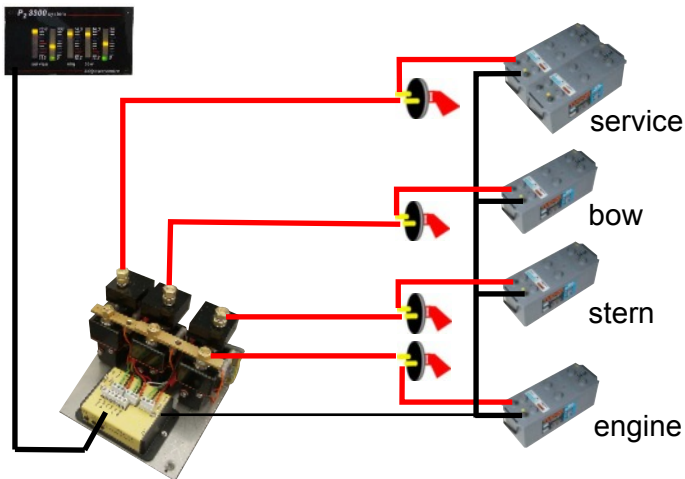
P2131

Single engine, three battery banks



P2231

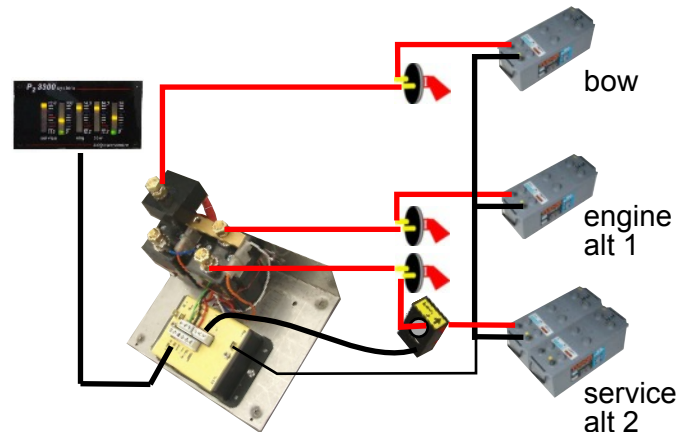
Single engine, four battery banks



P2631

Single engine, two alternators three battery banks

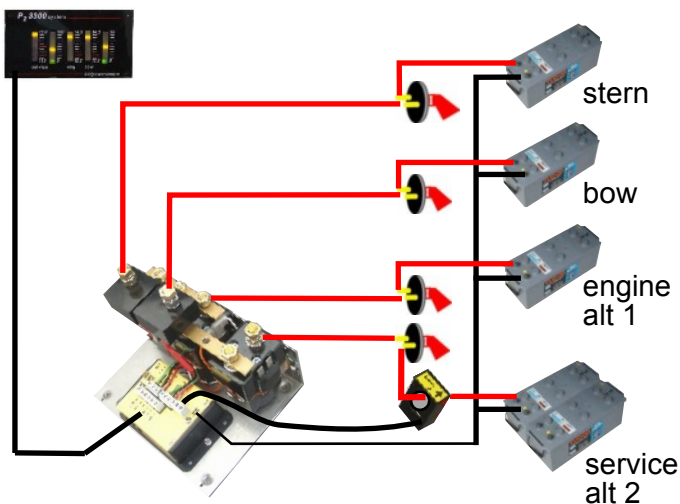
Alternator 1 wired to engine battery,
Alternator 2 wired to service battery bank



P2731

Single engine, two alternators four battery banks

Alternator 1 wired to engine battery.
Alternator 2 wired to service battery bank



optional display