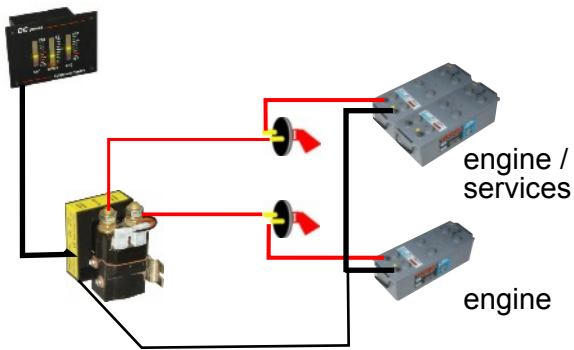


TWIN ENGINE BATTERY BANK LAYOUT OPTIONS

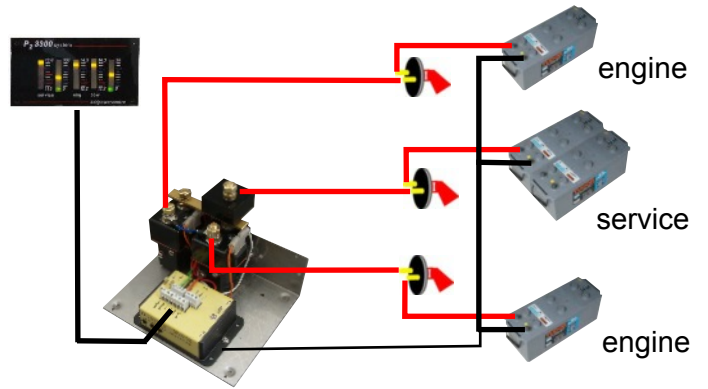
P2331

twin engines, two battery banks



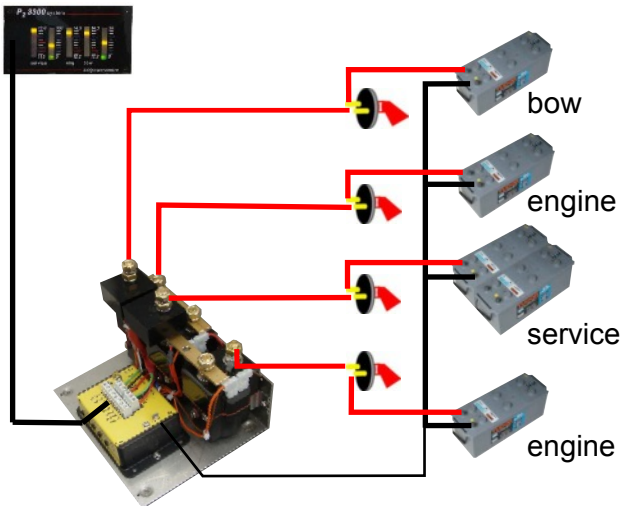
P2431

Twin engines, three battery banks



P2531

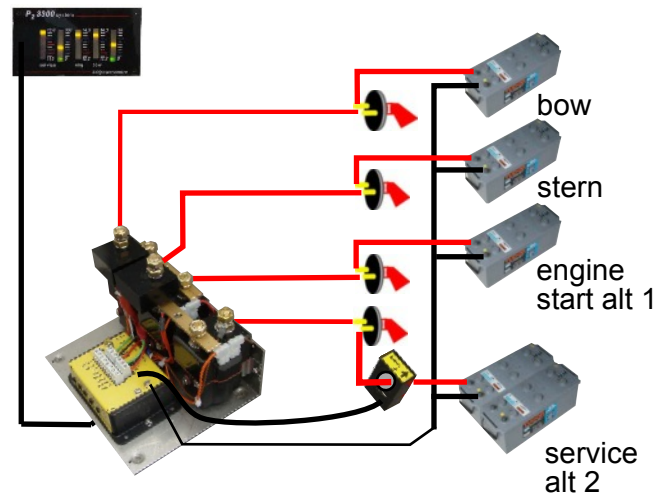
Twin engines, four battery banks



P2831

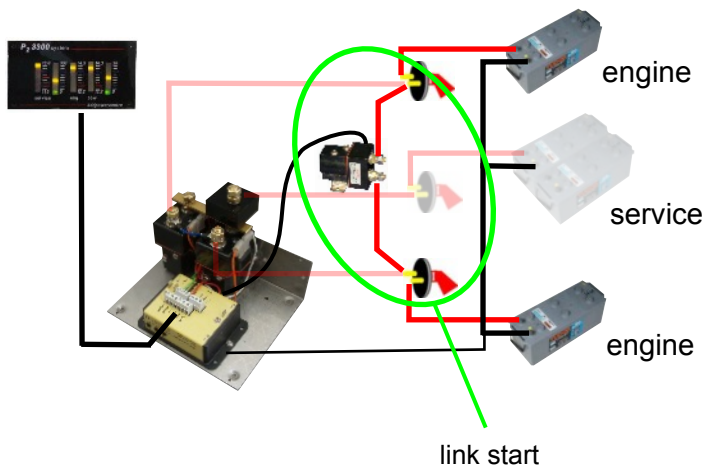
Twin engine, start, service, bow, stern battery

Both engines start from start battery bank, port alternator wired to start battery, starboard alternator wired to service battery bank.



P2xxx-01

Twin engine external link start



P2xxx-02

Twin engine, internal link start

